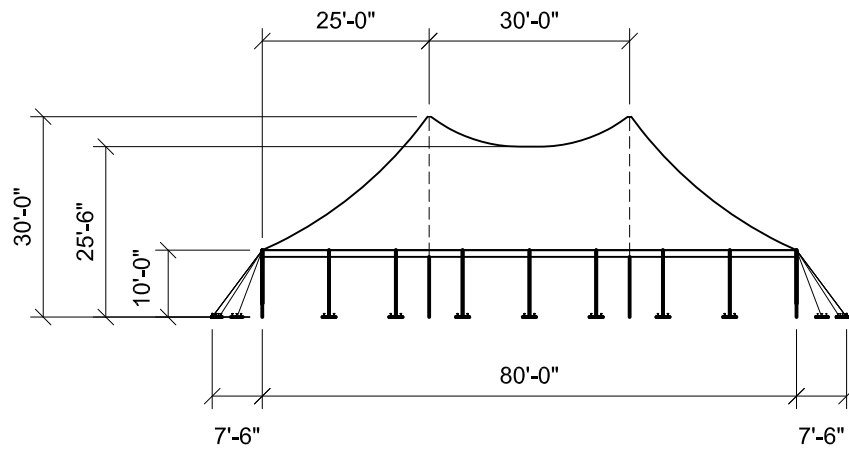
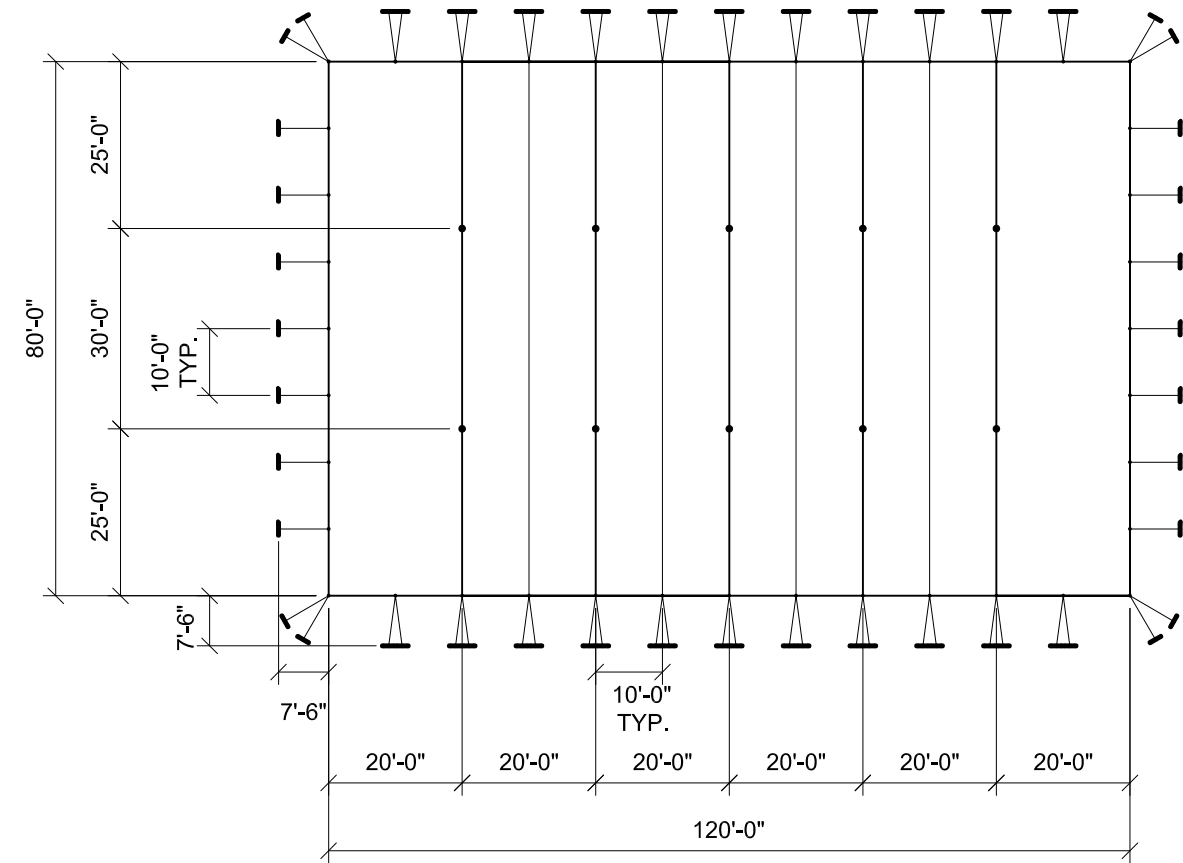


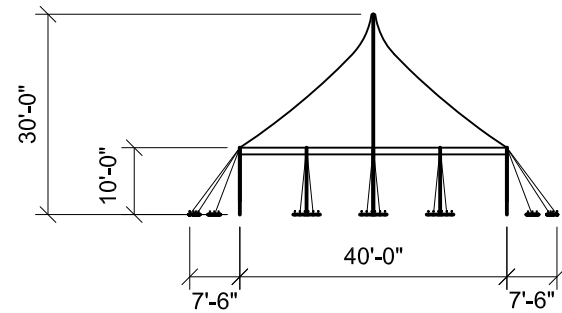
PLAN



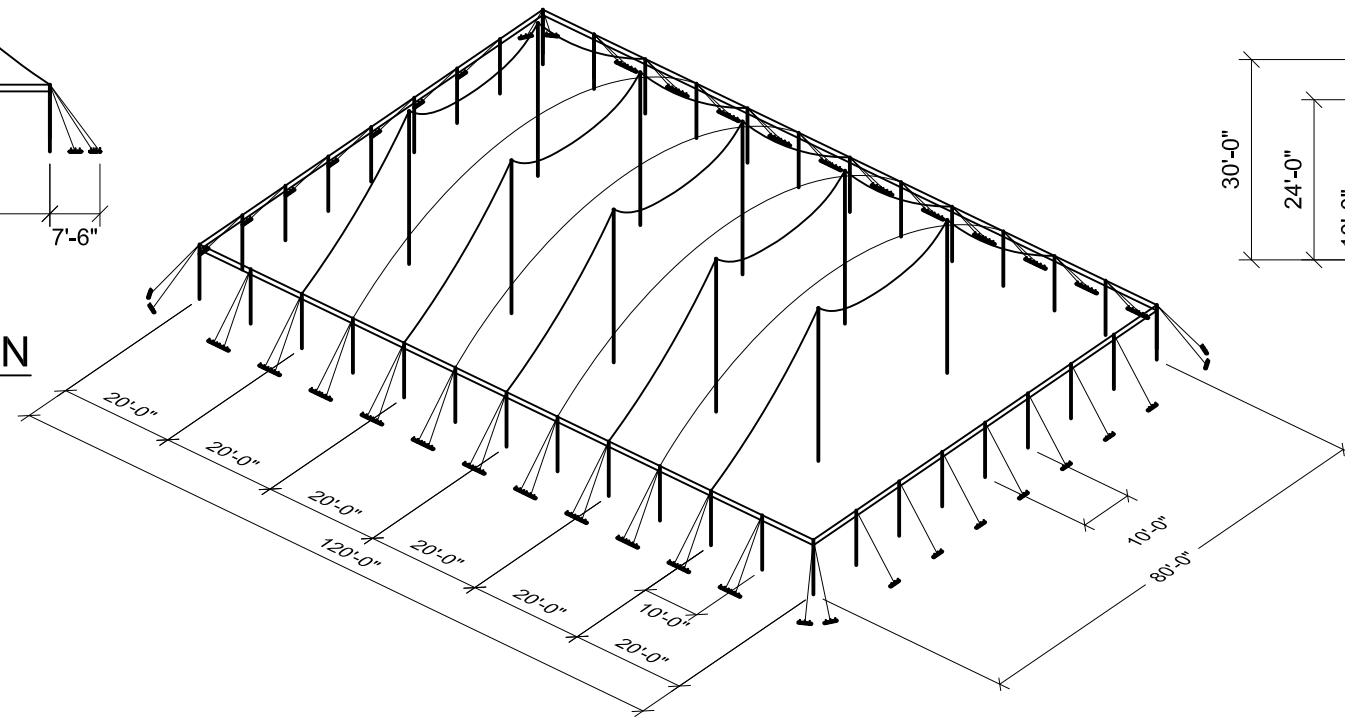
END ELEVATION



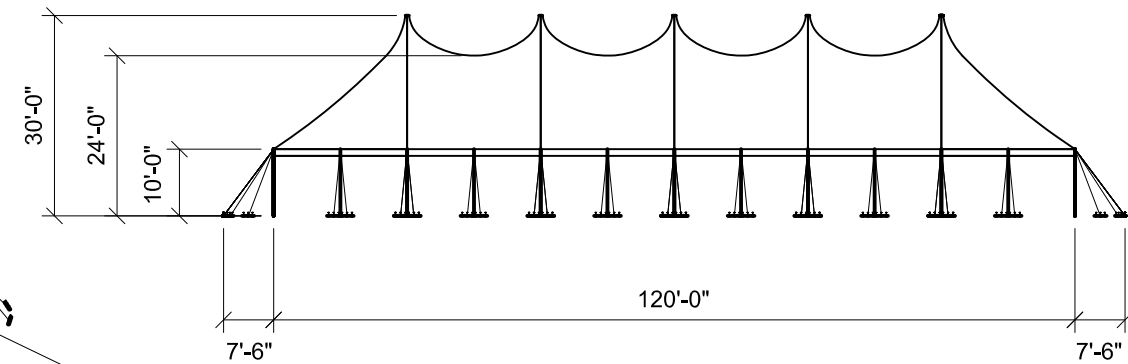
PLAN



SIDE ELEVATION
SCALE: 1" = 30'



ISOMETRIC



SIDE ELEVATION

NOTES:

1. GUY WEBS THROUGHOUT.
2. 10'-0" SIDE POLE SPACING.
3. 10'-0" EAVE HEIGHT SHOWN.
4. REF. B3-80-2M REV. 7-31-06.
5. NON-STANDARD STAKING SHOWN.
6. SEE THE I.F.A.I. STAKING GUIDE ON OUR WEBSITE (WWW.ANCHORINC.COM) FOR SOIL IDENTIFICATION & PULL-OUT CAPACITY OF STAKES.

REVISIONS		
EC/PR NO.	DATE	BY
1	05-10-11	DMK
2	09-07-11	DMK

ANCHOR INDUSTRIES INC.		
BROCHURE DRAWING 80' CENTURY TENT WITH 20' MIDS		
DRAWN BY: DMK	CHECKED BY:	DRAWING NO.
APPROVED BY:	EC/PR NO.	DATE: 08-18-06
		06-253-3-6