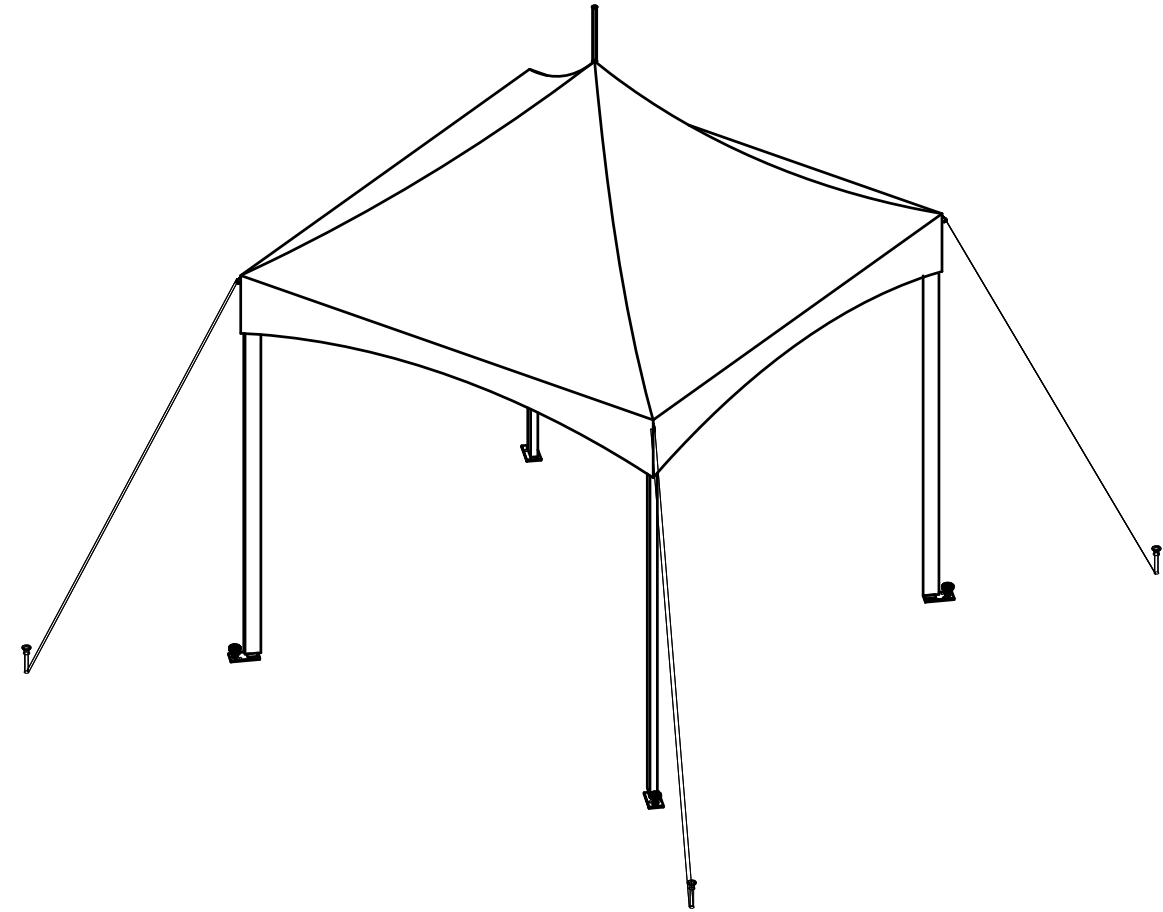
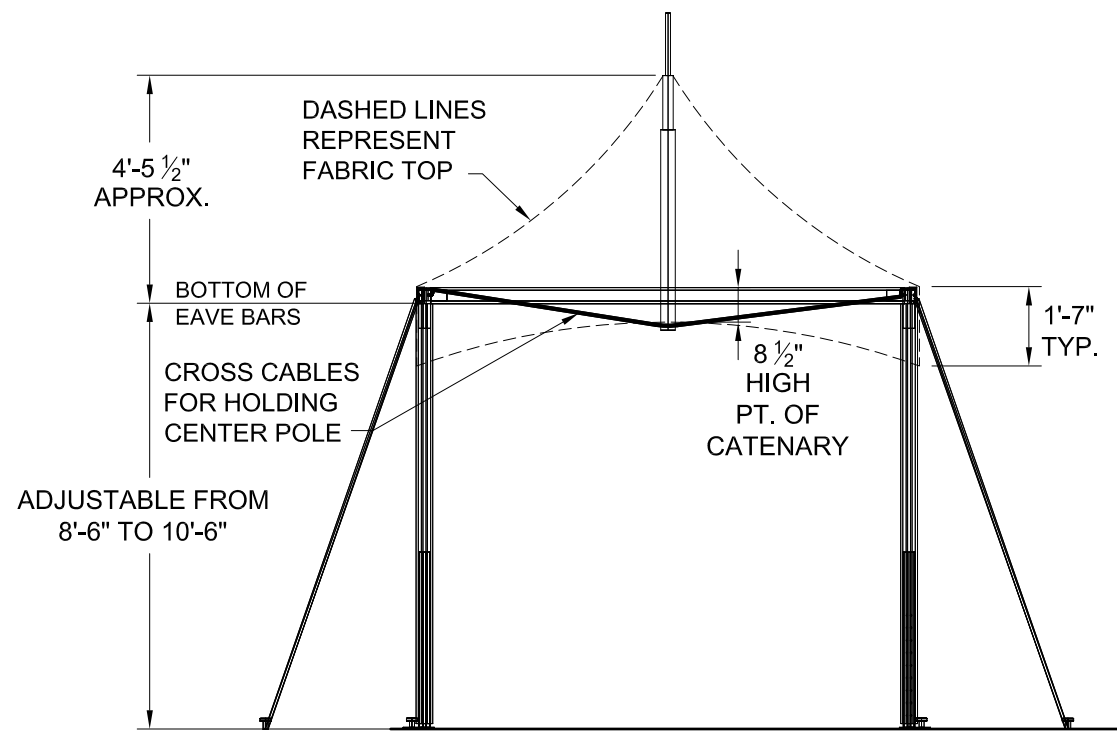


PLAN VIEW



3-D VIEW



SIDE VIEW

REVISIONS			ANCHOR INDUSTRIES INC.		
EC/PR NO.	DATE	BY	BROCHURE DRAWING 10' x 10' CENTURY FRAME		
			DRAWN BY: DMS	CHECKED BY:	DRAWING NO.
			APPROVED BY:	EC/PR NO.	DATE: 07-30-08
					08-398-1