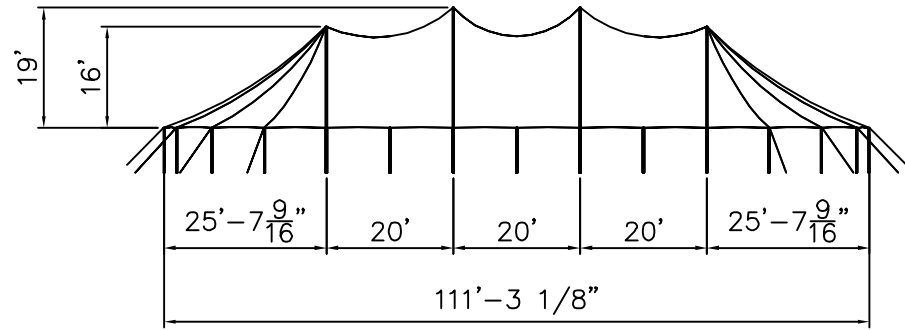


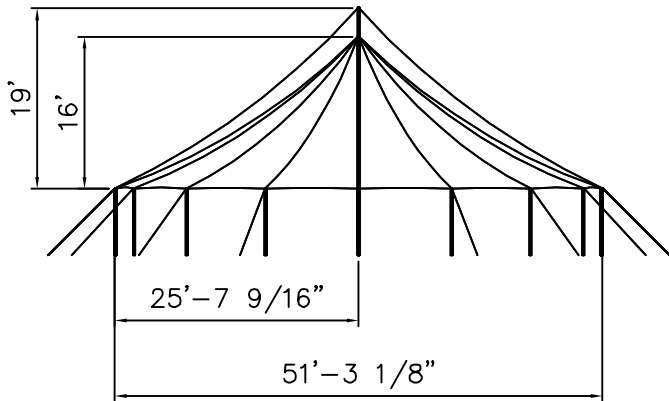
ISOMETRIC VIEW



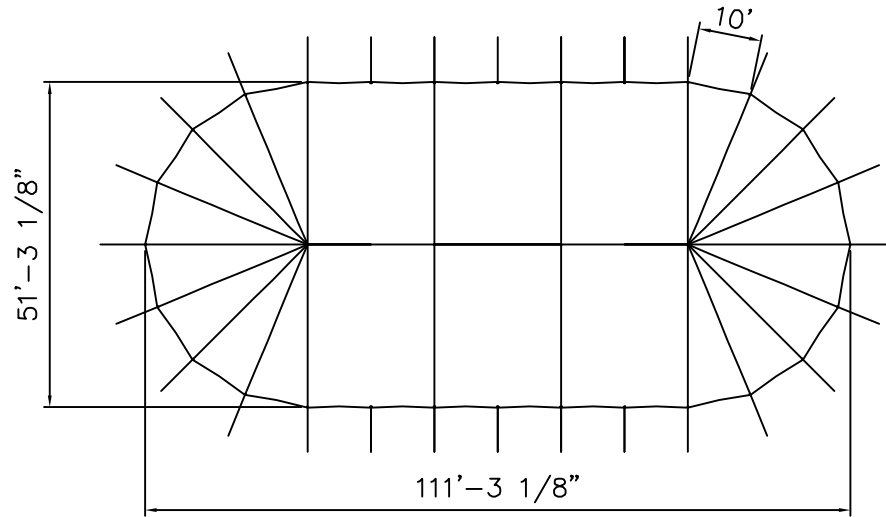
SIDE VIEW

TIDEWATER SAIL CLOTH TENT  
51' x 111' 1pc.

- (1) 51'x 111' 1PC. TOP (5,086sq.ft.)
- (2) 4" SCH. 40 2PC. CENTER POLE (23')
- (2) 4" SCH. 40 2PC. CENTER POLE (26')
- (28) 2.5" O.D. ALUM. 1pc/ 3x3 WOOD SIDE POLE (7'L)
- (28) 2" INLINE RATCHETS - GUY OUT
- (28) 42" DOUBLE HEADED STAKES



END VIEW



PLAN VIEW



ALL DATA AND INFORMATION CONTAINED IN OR DISCLOSED BY THIS DOCUMENT IS CONFIDENTIAL AND PROPRIETARY INFORMATION OF AZTEC TENTS AND ALL RIGHTS THEREIN ARE RESERVED. THE RECIPENT AGREES TO HOLD ALL INFORMATION CONTAINED HEREIN IN CONFIDENCE AND IN TRUST AND WILL NOT BE COPIED, REPRODUCED WHOLE OR IN PART, NOR ITS CONTENTS REVEALED IN ANY MANNER TO OTHERS, WITHOUT THE WRITTEN CONSENT OF AZTEC TENTS. ACCEPT TO MEET THE SPECIFIC PURPOSE FOR WHICH IT WAS DELIVERED.

ENGINEER CM  
 DRAWN KT  
 DATE 11/09/09  
 CHECKED -  
 TIDEWATER SAIL TENT\51x\51x111 110909 1325

|  |                |
|--|----------------|
| S T A N D A R D                          |                |
| TIDEWATER SAIL CLOTH TENT / STANDARD     |                |
| 51' W x 111' L TIDEWATER SAIL CLOTH TENT |                |
| PART DESCRIPTION                         | DRAWING NUMBER |
| CODE                                     | SIZE           |
| AZ-51                                    | 111- TIDEWATER |
| REV                                      | 1              |