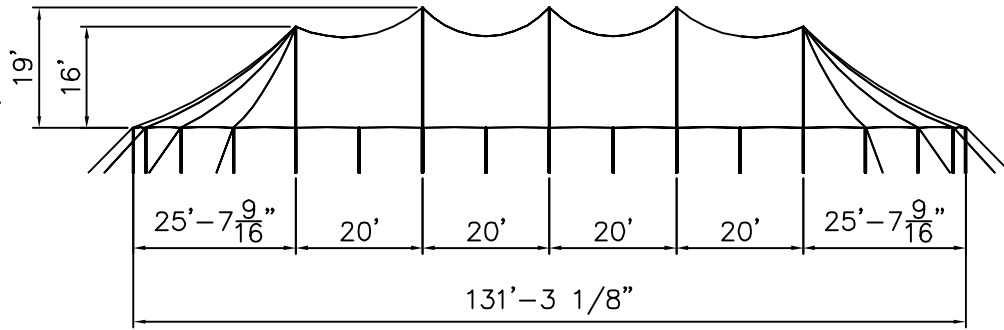


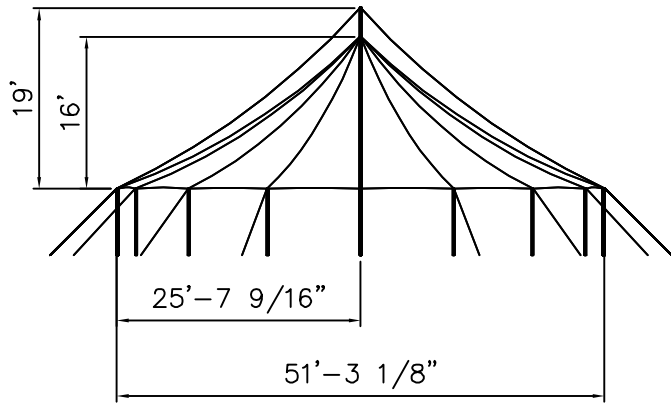
ISOMETRIC VIEW



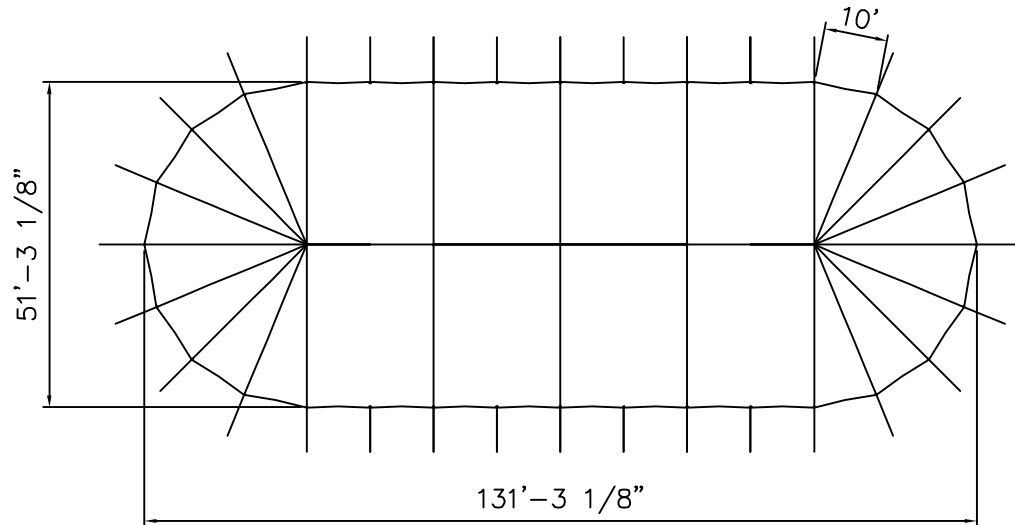
SIDE VIEW

TIDEWATER SAIL CLOTH TENT
51' x 131' 1pc.

- (1) 51' x 131' 1PC. TOP (6,112sq.ft.)
- (2) 4" SCH. 40 2PC. CENTER POLE (23')
- (3) 4" SCH. 40 2PC. CENTER POLE (26')
- (32) 2.5" O.D. ALUM. 1pc/ 3x3 WOOD SIDE POLE (7'L)
- (32) 2" INLINE RATCHETS - GUY OUT
- (32) 42" DOUBLE HEADED STAKES



END VIEW



PLAN VIEW

AZTEC
 2685 COLUMBIA ST. TORRANCE, CA. 90503
 (800) 228-3687 - FAX (310) 381-0722

ENGINEER CM
 DRAWN KT
 DATE 01/05/10

ALL DATA AND INFORMATION CONTAINED IN OR DISCLOSED BY THIS DOCUMENT IS CONFIDENTIAL AND PROPRIETARY INFORMATION OF AZTEC TENTS AND ALL RIGHTS THEREIN ARE RESERVED. THE RECIPIENT AGREES TO HOLD ALL INFORMATION CONTAINED HEREIN IN CONFIDENCE AND IN TRUST AND WILL NOT BE COPIED, REPRODUCED WHOLE OR IN PART, NOR ITS CONTENTS REVEALED IN ANY MANNER TO OTHERS, WITHOUT THE WRITTEN CONSENT OF AZTEC TENTS, EXCEPT TO MEET THE SPECIFIC PURPOSE FOR WHICH IT WAS DELIVERED.

TIDEWATER SAIL TENT\51x131 010510 925

S T A N D A R D	
TIDEWATER SAIL CLOTH TENT / STANDARD	
51' W x 131' L TIDEWATER SAIL CLOTH TENT	
PART DESCRIPTION	CODE
---	---
SIZE	DRAWING NUMBER
AZ-51 x 131-	TIDEWATER
REV	0