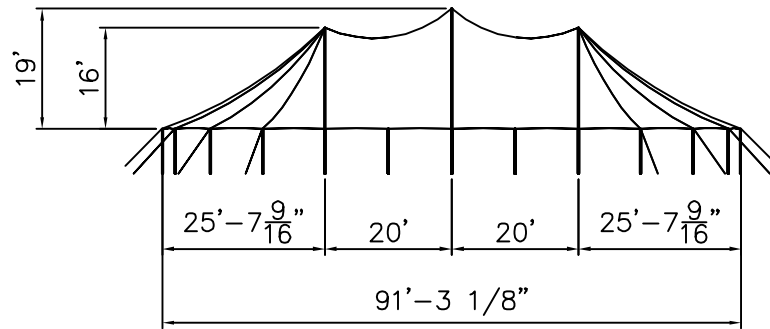


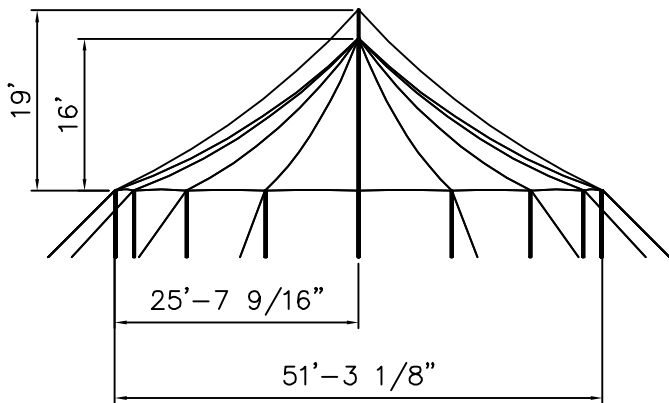
ISOMETRIC VIEW



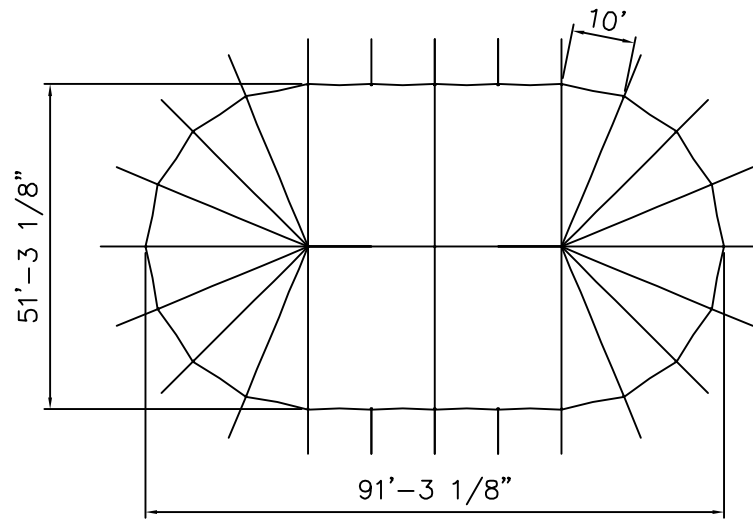
SIDE VIEW

TIDEWATER SAIL CLOTH TENT
51' x 91' 1pc.

- (1) 51'x 91' 1PC. TOP (4,061sq.ft.)
- (2) 4" SCH. 40 2PC. CENTER POLE (23')
- (1) 4" SCH. 40 2PC. CENTER POLE (26')
- (24) 2.5" O.D. ALUM. 1pc/ 3x3 WOOD SIDE POLE (7'L)
- (24) 2" INLINE RATCHETS - GUY OUT
- (24) 42" DOUBLE HEADED STAKES



END VIEW



PLAN VIEW



S T A N D A R D	
TIDEWATER SAIL CLOTH TENT / STANDARD	
51' W x 91' L TIDEWATER SAIL CLOTH TENT	
PART DESCRIPTION	CODE
---	---
SIZE	DRAWING NUMBER
AZ51 x 91-	TIDEWATER 0

ENGINEER	DRAWN	DATE
CM	KT	01/04/10

ALL DATA AND INFORMATION CONTAINED IN OR DISCLOSED BY THIS DOCUMENT IS CONFIDENTIAL AND PROPRIETARY INFORMATION OF AZTEC TENTS AND ALL RIGHTS THEREIN ARE RESERVED. THE RECIPENT AGREES TO HOLD ALL INFORMATION CONTAINED HEREIN IN CONFIDENCE AND IN TRUST AND WILL NOT BE COPIED, REPRODUCED WHOLE OR IN PART, NOR ITS CONTENTS REVEALED IN ANY MANNER TO OTHERS, EXCEPT TO MEET THE SPECIFIC PURPOSE FOR WHICH IT WAS DELIVERED.

TIDEWATER SAIL TENT\51x\51x91 010410 1455