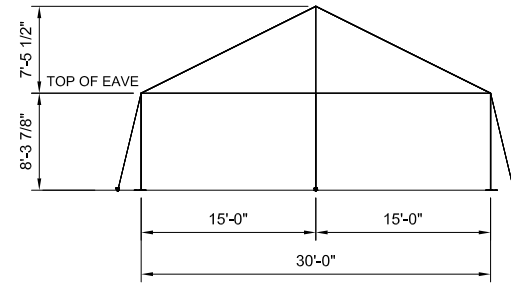
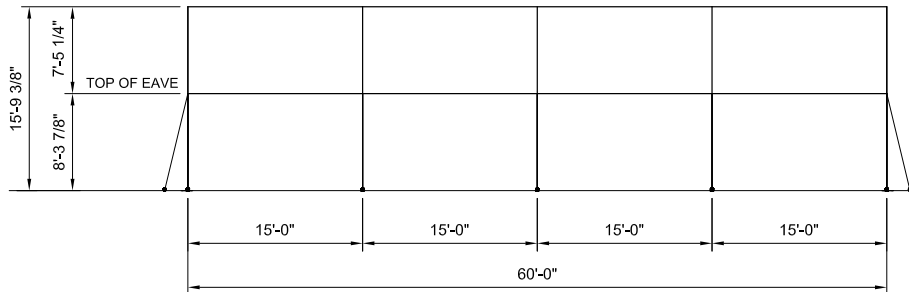


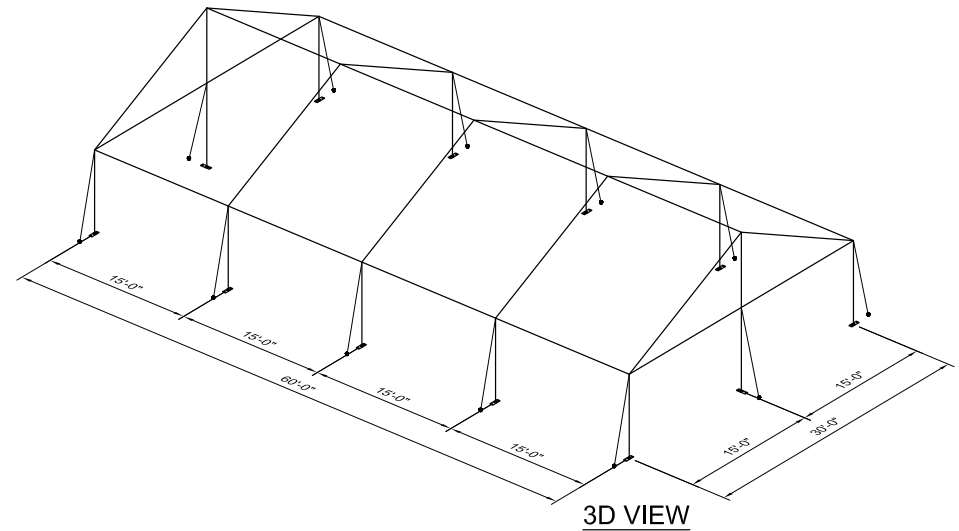
PLAN VIEW



END VIEW



SIDE VIEW



3D VIEW

NOTES:

- SEE THE I.F.A.I. STAKING GUIDE ON OUR WEBSITE (WWW.ANCHORINC.COM) FOR SOIL IDENTIFICATION & PULL-OUT CAPACITY OF STAKES.

F3 FRAME TENT
 30' x 60' TENT - 1800 SQ. FT.
 • (12) 1" WEB GUYS WITH RATCHETS
 • (24) 1" x 30" STAKES

* SEE NOTES



Caution:

Staking or anchoring is the responsibility of the installer. Soil conditions will dictate the number of stakes or anchors required. **Do not use this drawing to determine staking requirements.** Contact Anchor for Engineering loading data that can be used in conjunction with IFAI methodologies to determine site specific anchoring requirements.

REV	EC	DATE	BY
1		2/29/2016	DMK

REVISION HISTORY

ITEM DESCRIPTION	ITEM NO.
ANCHOR INDUSTRIES INC.	
F3 BROCHURE DRAWING	
30' x 60' GABLE END FRAME W/(4) 15' MIDS	
DRAWN BY: DMK	CHECKED BY:
APPROVED BY:	DATE: 08-17-2015
DRAWING NO. 15-284-8-3	

All data and information contained in or attached to this document is confidential and proprietary information of Anchor Industries, Inc. and all rights therein are expressly reserved. By accepting this material the recipient agrees that the material and the information contained therein is to be kept in confidence and it shall not be used, copied, reproduced in the whole or in part, nor its contents revealed in any manner to others except to meet the specific purpose for which it was delivered.